



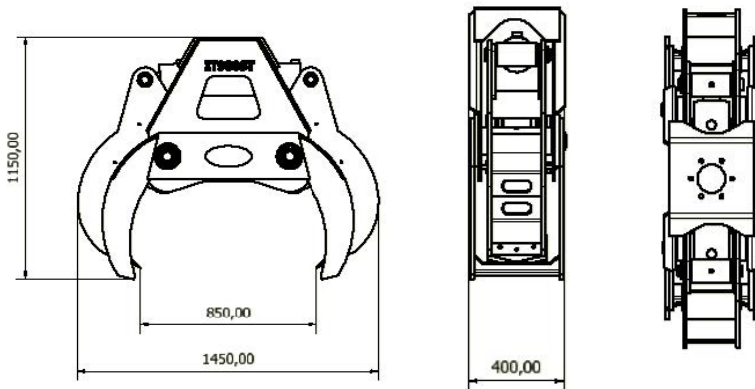
LOG CRACKER IT 900ST



Extractors eliminates stuck material

The log cracker and splitter is made of HIGH-RESISTANCE STEEL, capable of breaking down even large logs with the power and simplicity that characterises all Intermercato machinery. The log cracker is designed with powerful extractors, which help to remove the forks from the log. The forks splitting the log have TEMPERED STEEL replacement blades.


The Log Cracker can break down large logs to quickly feed them through a chipper.



Weight - 550 Kg

Payload - 2.500 Kg Max

pressure - 300 Bar

 **5 - 20 t.**



INTERMERCATO

High performance lift and load attachments for Forestry, Transport, Construction and Recycling.

