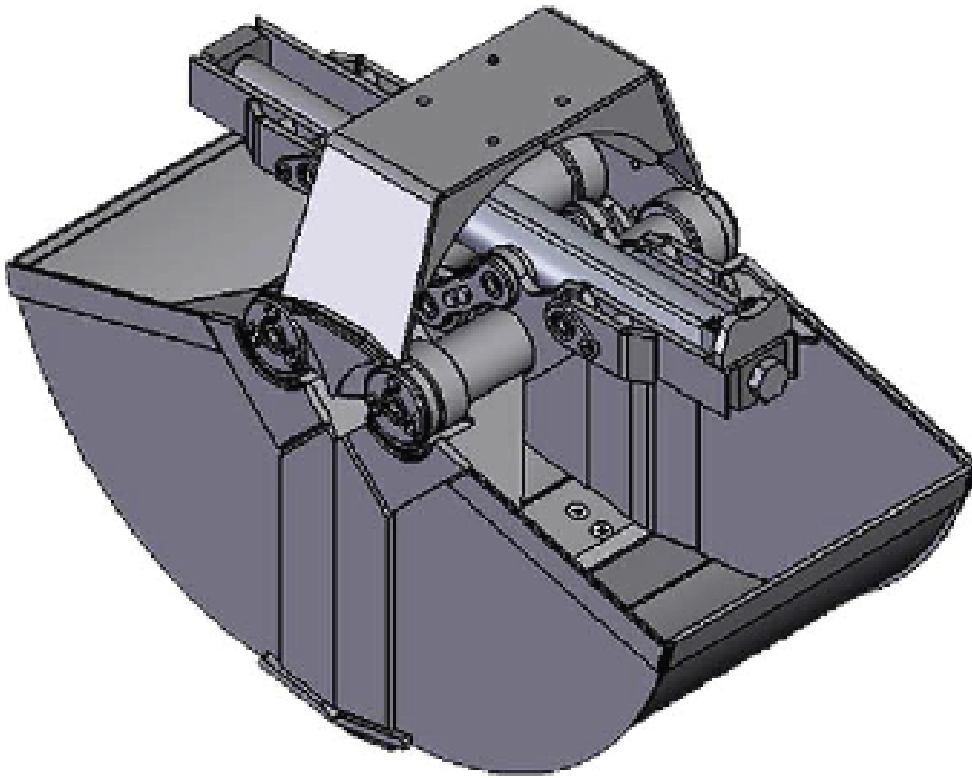
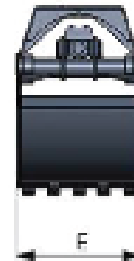
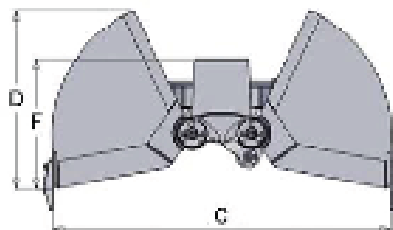
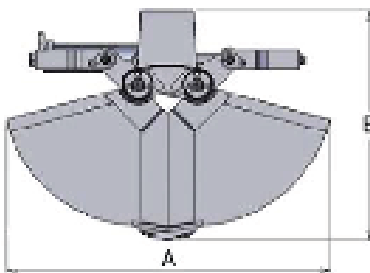


INTERMERCATO | TCB 500 - 1000



KEY FEATURES

- Double guide bars
- High pressure cylinder with double piston rod seals
- High tensile wear resistant steel (400 HB)
- Pilot operated check valve
- High tensile wear resistant steel cutting edges (500 HB)



	TCB 500	TCB 650	TCB 800	TCB 1000
A	1340	1340	1340	1340
B	957	957	957	957
C	1398	1398	1398	1398
D	740	740	740	740
E	500	650	800	1000
F	539	539	539	539

MODEL SPECIFICATIONS



MODEL	Kg	l	Bar	l/min	kN	ton	tm
TCB 500	320	250	300	60	28	3	10
TCB 650	344	350	300	60	28	3	12
TCB 800	368	450	300	60	28	3	15
TCB 1000	398	550	300	60	28	3	15

INTERMERCATO

High performance lift and load attachments for Forestry, Transport, Construction and Recycling.

