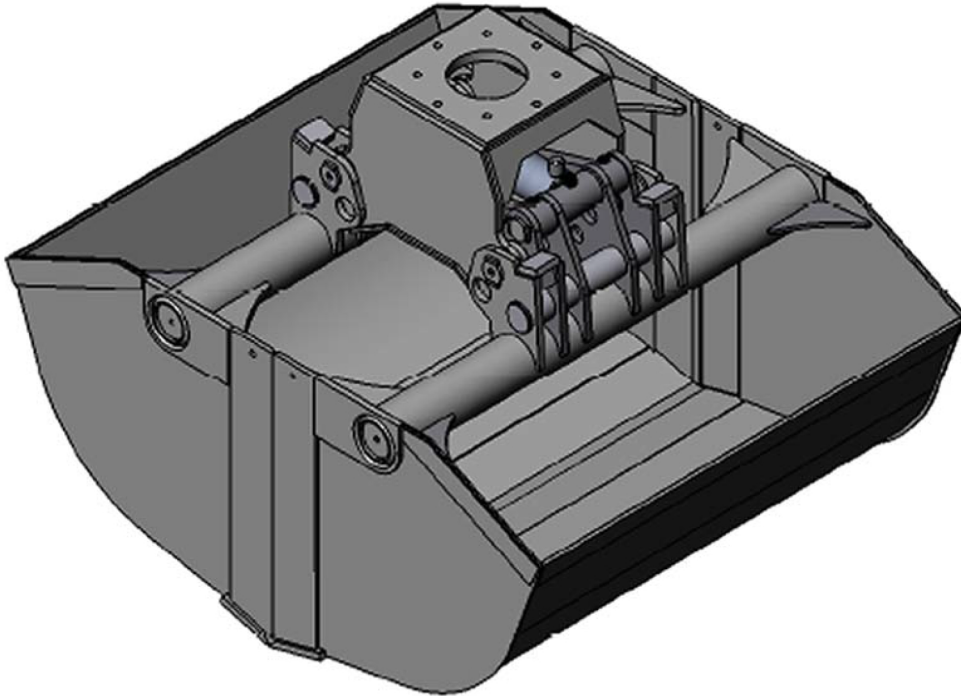
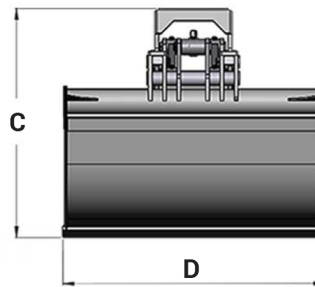
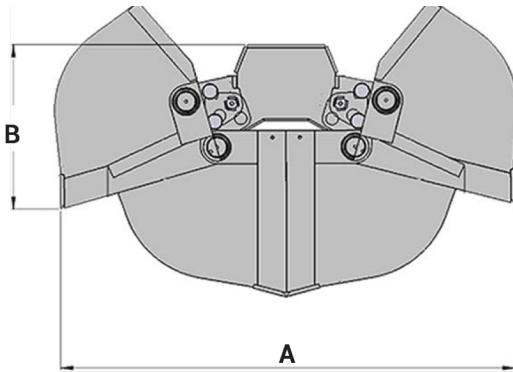


INTERMERCATO / Superchip



KEY FEATURES

- Heavy Duty
- Double guide bars
- High tensile wear resistant steel (400 HB)
- Self lubricating bushings
- High tensile wear resistant steel cutting edges (500 HB)
- High pressure cylinder with double piston rod seals



A	2340
B	904
C	1317
D	1500

MODEL SPECIFICATIONS



Superchip

710

1500

300

60

20

3

20

INTERMERCATO

High performance lift and load attachments for Forestry, Transport, Construction and Recycling.

